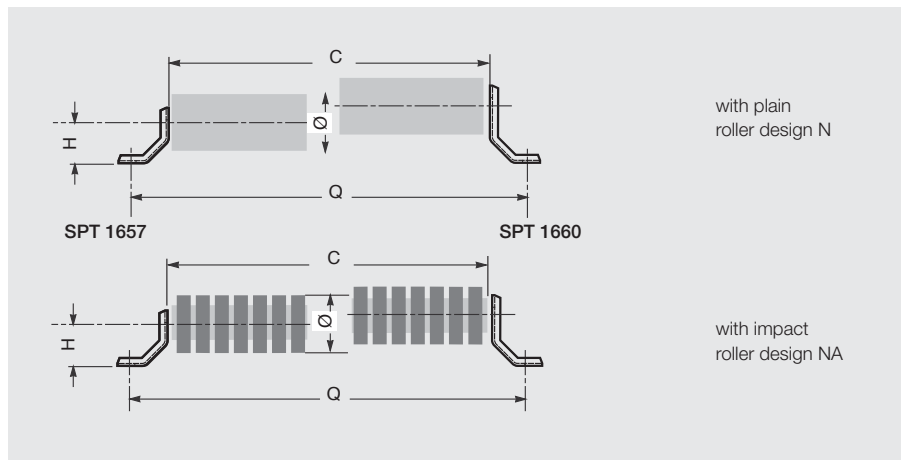


3 Troughing sets

support brackets

SPT 1657-1660

For light upper set flat roller, plain or with impact rings

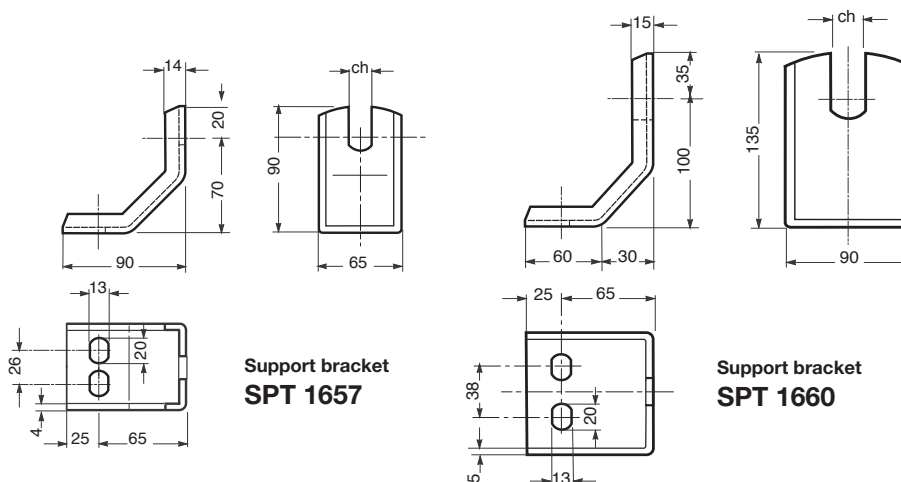


SPT 1657 for rollers series:

RTL
spindle 15
bearing 6202
ch = 17

PSV/1-FHD
spindle 20
bearing 6204
ch = 14

MPS
spindle 15
bearing 6202
ch = 17



Support bracket SPT 1657

Support bracket SPT 1660

SPT 1660 for rollers series:

PSV/1-FHD
spindle 20
bearing 6204
ch = 14

PSV/4-FHD
spindle 30
bearing 6206
ch = 22

PSV/2-FHD
spindle 25
bearing 6205
ch = 18

PSV/5-FHD
spindle 30
bearing 6306
ch = 22

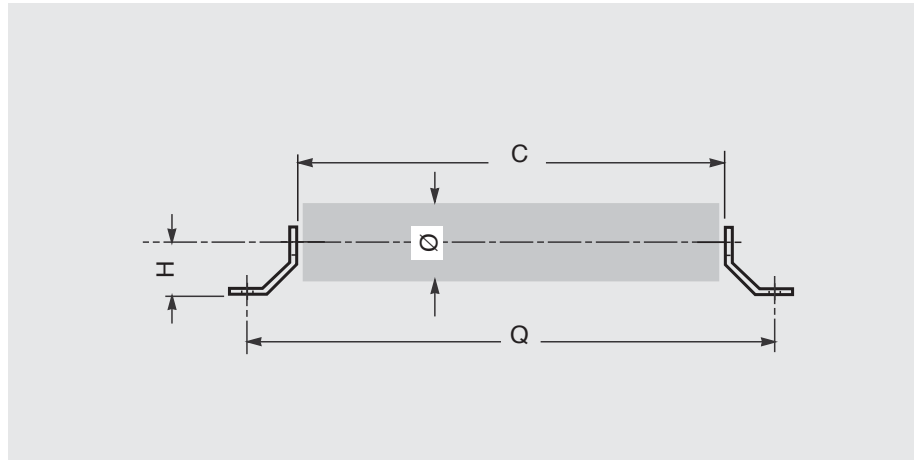
PSV/3-FHD
spindle 25
bearing 6305
ch = 18

belt width mm	roller		H SPT 1657 mm	Q	weight of two brackets	
	∅	C			without rollers SPT 1657	SPT 1660
300		388	70	520	0.7	1.5
400	SPT 1657: 60 ÷ 133 SPT 1660: 60 ÷ 180	508	70	640	0.7	1.5
500		608	70	740	0.7	1.5
650	SPT 1657: 14 - 17 SPT 1660: 14 - 18 - 22	758	70	890	0.7	1.5
800		958	70	1090	0.7	1.5
1000		1158	70	1290	0.7	1.5
1200		1408	70	1540	0.7	1.5
1400		1608	70	1740	0.7	1.5

Example of ordering
support bracket SPT 1657, F17,YA

**support
brackets
SPT 070**

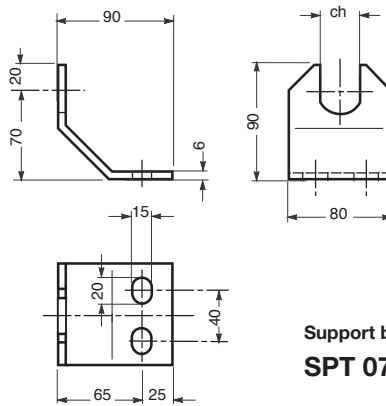
For upper set flat roller PL or PLF



for rollers series:

PL
 ø 90,110,140
 spindle 20
 bearing 6204
 ch = 30

PLF
 ø 89,108,133
 spindle 20
 bearing 6204
 ch = 30



**Support bracket
SPT 070**

belt width mm	roller					weight of two brackets without rollers Kg
	Ø mm	C	ch	H mm	Q	
300	90-110-140	388	30	70	520	1.0
400		508		70	640	1.0
500		608		70	740	1.0
650		758		70	890	1.0
800		958		70	1090	1.0
1000		1158		70	1290	1.0
1200		1408		70	1540	1.0

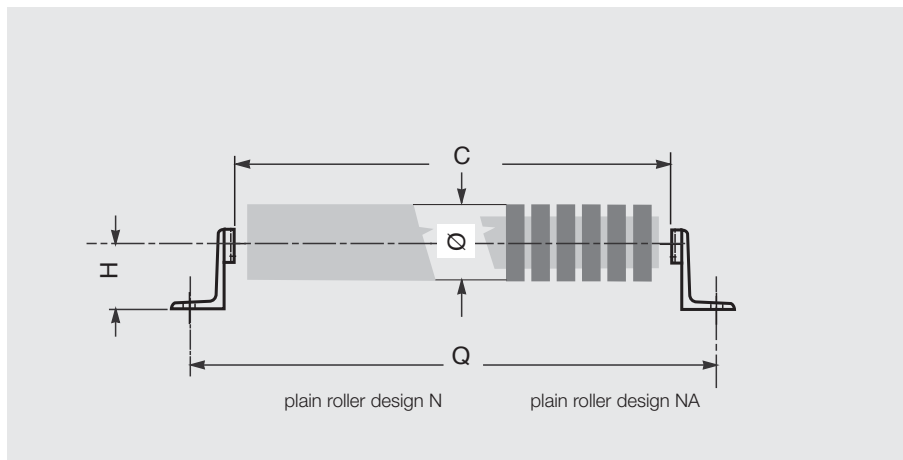
Example of ordering
 support bracket SPT 070, F30, YC

3 Troughing sets

support brackets

SPT 1795

For upper set heavy flat roller, plain or with impact rings



for rollers series:

PSV/1-FHD

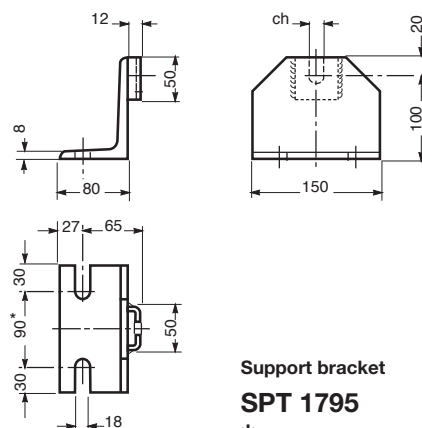
∅ 89,108,133
spindle 20
bearing 6204
ch = 14

PSV/2-FHD

∅ 108,133,159
spindle 25
bearing 6205
ch = 18

PSV/4-FHD

∅ 108,133,159
spindle 30
bearing 6206
ch = 22



Support bracket SPT 1795

* = bolt centres advised
100 mm

belt width mm	roller		H mm	Q	weight of two brackets without rollers Kg
	∅ mm	C ch			
500	89-108-133-159	608	100	740	3.7
650		758	100	890	3.7
800		958	100	1090	3.7
1000		1158	100	1290	3.7
1200		1408	100	1540	3.7
1400		1608	100	1740	3.7
1600		1808	100	1940	3.7
1800		2008	100	2140	3.7
2000		2208	100	2340	3.7

Example of ordering
support bracket SPT 1795, F22, Z