

# MOTORIZED PULLEY 800M, H & 800HD

## Ø 800 mm



To match your requirements in diameter 800 mm, our product range offers two different loading performances for your BULK applications:

- 800M, 800H
- 800HD

You have a choice.

Therefore, it is important to notice the differences to choose the right type of pulley for the right application based on estimated belt tension (radial load) = T1+T2. The actual radial load **MUST** be **LESS** than the max. allowable radial load shown in this catalogue.

Be aware of increased belt tensions using multi-ply thick heavy belts and/or larger belt widths.

Motor/gearbox of 800M has its origin from 630H.

800M, H & 800HD are designed for **HEAVY DUTY** applications and they provide the necessary torque, belt pull and allowable belt tension in order to handle the toughest, irregular & most extreme and brutal working conditions.

### STANDARD SPECIFICATION of Motorized Pulley

- Crowned mild steel Ø 800 mm steel shell painted yellow - min. layer of 60 µm
- Bolted painted yellow cast iron bearing housings and covers, all painted yellow – min. layer of 60 µm
- Mild steel shafts
- Shaft sealing system - degree of protection IP66/67 (EN60034-5)
- Cast iron terminal box painted yellow – min. layer of 60 µm
- 3-phase induction motors with thermal protector
- Voltage: 3-phase single voltage. Most common voltages available. Please specify!
- Motor winding insulation Class F
- Dynamically balanced rotor
- Two oil plugs each fitted with a magnet to filter the oil
- Yellow painted cast steel mounting brackets – one type AL & one type ALO
- Oil change recommended every 20.000 operational hours
- Maximum RL – Please inquire!
- Non standard RL's available
- To be used in horizontal positions ±5 degree only!
- Special speeds available on request.

### STAINLESS STEEL

Stainless steel version or rust-resistant version on request -  
For an optimum design of the correct anti-corrosion performance, we need the properties of the materials being conveyed. Our sales team will offer you the best available solution.

**When ordering, please specify the required voltage, electrical connection options, brackets and idler pulleys.**

- Environmental consideration: page 72/73
- Technical precautions: page 75 ff.,
- Optional extras: page 60
- Connection diagram: page 91 ff.

# MOTORIZED PULLEY 800M, H & 800HD

## Optional extras



SPECIFICATIONS	800M	800H/HD
Dust explosion proof Motorized Pulleys - ATEX 95 - Zone 22 - for applications handling of dusty grain etc. According to European Directive 2014/34EG	On request!	On request!
Re-greasable labyrinth seals - mild steel	x	x
Black rubber lagging - STANDARD specifications: - Smooth lagging - Hardness 60 ±5 Shore A - Diamond lagging - Hardness 60 ±5 Shore A	o 10 mm 10 mm	o 10 mm 10 mm
White smooth rubber lagging (FDA). Oil, fat & grease resistant	x	x
SPECIAL lagging available on request - e.g. hot vulcanized, ceramic etc.	x	x
External brake shaft for connection to mechanical brake	x	x
Mechanical backstop	x	x
Insulation class F - Allowable ambient temperature: -25°C-+40°C	Std.	Std.
Insulation class H with synthetic oil	x	x
Parallel shell	x	x
Thermal protector	Std.	Std.
IP66/67 cast iron terminal box painted yellow	Std.	Std.
Shaft sealing system - degree of protection IP66/67 (EN60034-5)	Std.	Std.
3-phase single voltage (3 x 400 V) or (3 x 690V), 50 Hz, with +/-10% tolerance - DIN IEC 38	Std.	Std.
Special voltages - 50 and/or 60Hz      Please specify!	x	x
Dual voltage - delta/star - connection possibility!	x	x
CSA approved motors - available on request only!	x	x

x = Optional extras

o = Available as option with certain limitations. Please refer to Technical precautions pages 75 ff.

Std. = Fitted as standard

Further product details:



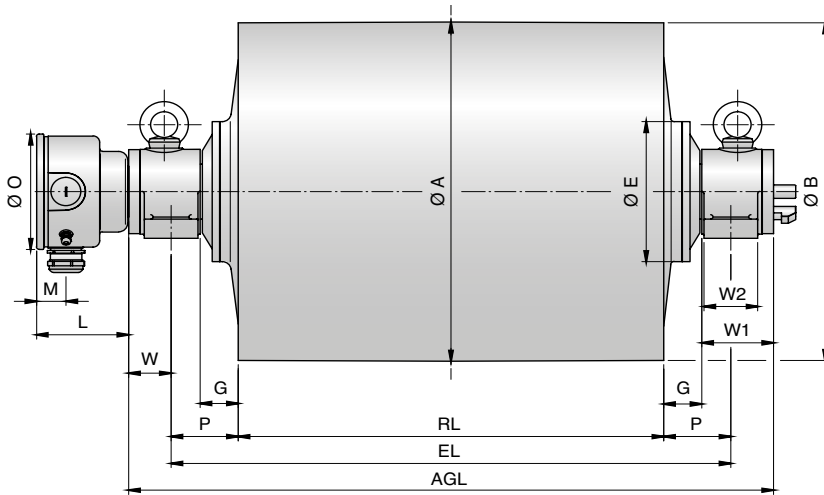
[https://www.rulmeca.com/contenuti/qr\\_code/english/500H-800H.pdf](https://www.rulmeca.com/contenuti/qr_code/english/500H-800H.pdf)

# MOTORIZED PULLEY 800M, H & 800HD

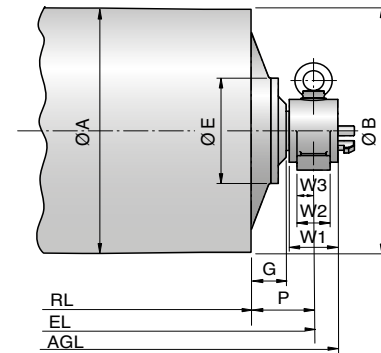
## Ø 800 mm



Motorized Pulley with terminal box

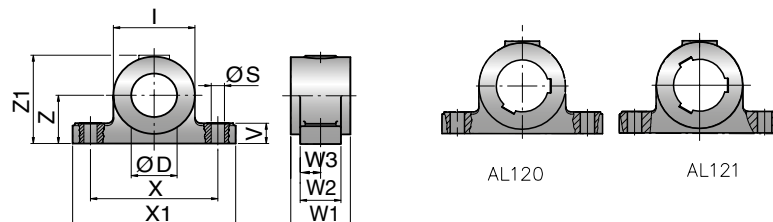


Idler Pulley UT630M / UT630H



Type	A mm	B mm	C mm	D mm	E mm	G mm	L mm	M mm	O mm	P mm
800M	800	796	-	90	268	88	166	54	230	150
800H/HD	800	796	-	120	330	80	206	67	260	150
UT630M	630	626	-	90	226	85	-	-	-	150
UT630H	630	626	-	120	330	75	-	-	-	150

Mounting brackets  
AL90 & ALO90  
AL120 & ALO120  
AL121 & ALO121



Motorized Pulleys & Idler Pulleys (UT)	Material	Bracket description	Dimensions											Weight			
			D mm	I mm	S mm	V mm	W mm	W1 mm	W2 mm	W3 mm	X mm	X1 mm	Z mm		Z1 mm		
Type																	
800M	Cast steel	AL90/ALO90	90	160	26	42	58.5	117	80	58.5	250	320	100	183	19.0		
800H	Cast steel	AL120/ALO120	120	200	33	50	95	160	120	65.0	300	370	110	213	38.0		
800HD	Cast steel	AL121/ALO121	120	200	33	50	95	160	120	65.0	300	370	110	213	38.0		

# MOTORIZED PULLEY 800M

## Ø 800 mm - 50 Hz



Motor			Nominal belt speed at Full Load 50Hz m/sec	Torque Nm	Belt Pull N	Max. Radial Load T1+T2* N	Min. RL	Type	Weight in kg for STANDARD width Dimension RL in mm (RL >2000 mm available on request)							Type of Bracket	
Power kW/HP	No. of Poles	Gear stages							950	1000	1050	1100	1150	1200	1250		per 50 mm up to 2000
22.0/ 30.0	8	2	1.25	6688	16720	73600	950	800M	935	948	960	973	985	995	1005	13 kg	AL90/ALO90
			1.60	5223	13058												
			2.00	4178	10445												
			2.50	3343	8358												
			3.15	2653	6633												
30.0/ 40.0	8	2	1.60	7122	17805	98100	950	800M	975	988	1000	1013	1025	1035	1045	13 kg	AL90/ALO90
			2.00	5698	14245												
			2.50	4558	11395												
			3.15	3617	9043												
37.0/ 50.0	6	2	2.00	7030	17575	98100	950	800M	975	988	1000	1013	1025	1035	1045	13 kg	AL90/ALO90
			2.50	5622	14055												
			3.15	4462	11155												
			4.00	3513	8783												
45.0/ 61.0	4	2	3.15	5426	13565	88300	950	800M	995	1008	1020	1033	1045	1055	1065	13 kg	AL90/ALO90
			4.00	4273	10683												
55.0/ 75.0	4	2	3.15	6584	14581	88300	950	800M	995	1008	1020	1033	1045	1055	1065	13 kg	AL90/ALO90
			4.00	5223	13058												

\* T1+T2 value is valid for shortest available RL – in case of any questions please contact Rulmeca sales.

# MOTORIZED PULLEY 800H/HD

## Ø 800 mm - 50 Hz



Motor			Nominal belt speed at Full Load 50Hz m/sec	Torque Nm	Belt Pull N	Max. Radial Load T1+T2* N	Min. RL	Type	Weight in kg for STANDARD width Dimension RL in mm (RL >2000 mm available on request)							Type of Bracket	
Power kW/HP	No. of Poles	Gear stages							1400	1450	1500	1550	1600	1650	1700		per 50 mm up to 2000
55.0/ 75.0	8	3	1.00	20884	54974	200000	1300	800HD	2390	2420	2450	2455	2485	2515	2546	30 kg	AL121/ALO121
	6		1.25	16707	41300												
	8	2	1.60	13052	32630	200000	1150	800H	2150	2175	2200	2225	2250	2275	2300	25 kg	AL120/ALO120
	6		2.00	10450	26125												
			2.50	8360	20900												
			3.15	6635	16588												
75.0/ 100.0	3	6	4.00	5225	13063	200000	1300	800HD	2390	2420	2450	2455	2485	2515	2546	30 kg	AL121/ALO121
			4.50	4644	11610												
	2		2.00	14244	35610												
			2.50	11395	28488												
			3.15	9044	22610												
90.0/ 120.0	3	6	4.00	5225	13063	200000	1400	800H	2200	2225	2250	2275	2300	2325	2350	25 kg	AL120/ALO120
			4.50	7597	18993												
	2		2.00	21181	52953												
			2.50	18496	46240												
			2.50	13674	34185												
110.0/ 150.0	3	4	4.00	8546	21365	180000	1550	800HD								30 kg	AL121/ALO121
			4.50	7597	18993												
	2		2.00	21915	54789												
			2.50	17994	44984												
			3.15	13264	33160												
132.0/ 180.0	3	4	4.00	9265	23163	180000	1400	800H	2175	2200	2225	2250	2275	2300	2325	25 kg	AL120/ALO120
			4.50	9265	23163												
	2		2.50	21592	53981												
			3.15	15153	37882												
			4.00	12535	31338												
4	2	4.50	11142	27855	180000	1400	800H	2215	2240	2265	2290	2315	2340	2365	25 kg	AL120/ALO120	

\* T1+T2 value is valid for shortest available RL – in case of any questions please contact Rulmeca sales.