

MOTORIZED PULLEY 630M & 630H

Ø 630 mm



To match your requirements in diameter 630 mm, our product range offers two different loading performances for your BULK applications:

- 630M and
- 630H

You have a choice.

Therefore, it is important to notice the differences to choose the right type of pulley for the right application based on estimated belt tension (radial load) = T1+T2. The actual radial load **MUST** be **LESS** than the max. allowable radial load shown in this catalogue.

Be aware of increased belt tensions using *multi-ply thick heavy belts* and/or larger belt widths.

If you do not find the belt tension needed in this diameter, you might have to choose a larger one.

Except for the fact that motor/gearbox of 630M originates from 500H, both types – 630M and 630H – are designed for **HEAVY DUTY** applications. They provide the necessary torque and belt pull.

Both pulleys are designed for tough, irregular, extreme and brutal working conditions.

STANDARD SPECIFICATION of Motorized Pulley

- Crowned mild steel Ø 630 mm steel shell painted yellow - min. layer of 60 µm
- Bolted powder coated cast iron bearing housings and covers, all painted yellow – min. layer of 60 µm
- Mild steel shafts
- Shaft sealing system - degree of protection IP66/67 (EN60034-5)
- Cast iron terminal box painted yellow – min. layer of 60 µm
- 3-phase induction motors with thermal protector
- Voltage: 3-phase single voltage. Most common voltages available. Please specify!
- Motor winding insulation Class F
- Dynamically balanced rotor
- Two oil plugs each fitted with a magnet to filter the oil
- Yellow painted cast steel mounting brackets – one type AL & one type ALO
- Oil change recommended every 20.000 operational hours
- Maximum RL – Please inquire!
- Non standard RL's available
- To be used in horizontal positions ±5 degree only!
- Special speeds available on request.

SEMI-RUST-FREE options

Stainless steel version or rust-resistant version on request -
For an optimum design of the correct anti-corrosion performance, we need the properties of the materials being conveyed. Our sales team will offer you the best available solution.

When ordering, please specify the required voltage, electrical connection, options, brackets and idler pulleys.

- Environmental consideration: page 72/73
- Technical precautions: page 75 ff.,
- Optional extras: page 55,
- Connection diagram: page 91 ff.

MOTORIZED PULLEY 630M & 630H

Optional extras



SPECIFICATIONS	630M	630H
Dust explosion proof Motorized Pulleys - ATEX 95 - Zone 22 - for applications handling of dusty grain etc. According to European 2014/34EG	On request!	On request!
Re-greasable labyrinth seals - mild steel	x	x
Black rubber lagging - STANDARD specifications: - Smooth lagging - Hardness 60 ±5 Shore A - Diamond lagging - Hardness 60 ±5 Shore A	o 10 mm 10 mm	o 10 mm 10 mm
White smooth rubber lagging (FDA). Oil, fat & grease resistant	x	x
SPECIAL lagging available on request - e.g. hot vulcanized, ceramic etc.	x	x
External brake shaft for connection to mechanical brake	x	x
Mechanical backstop	x	x
Insulation class F - Allowable ambient temperature: -25°C-+40°C	Std.	Std.
Insulation class H with synthetic oil	x	x
Parallel shell	x	x
Thermal protector	Std.	Std.
IP66/67 cast iron terminal box painted yellow	Std.	Std.
Shaft sealing system - degree of protection IP66/67 (EN60034-5)	Std.	Std.
3-phase single voltage (3 x 400V) or (3 x 690V), 50 Hz, with +/-10% tolerance - DIN IEC 38	Std.	Std.
Special voltages - 50 and/or 60Hz Please specify!	x	x
Dual voltage - delta/star - connection possibility!	x	x
CSA approved motors - available on request only!	x	x
Electromagnetic brake Min RL dimension increases by (mm)	100	-

x = Optional extras

o = Available as option with certain limitations. Please refer to Technical precautions pages 75 ff.

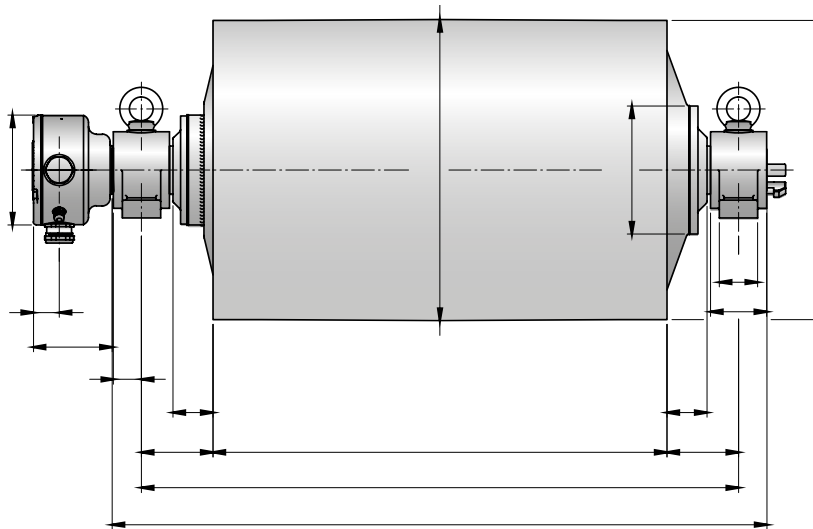
Std. = Fitted as standard

MOTORIZED PULLEY 630M & 630H

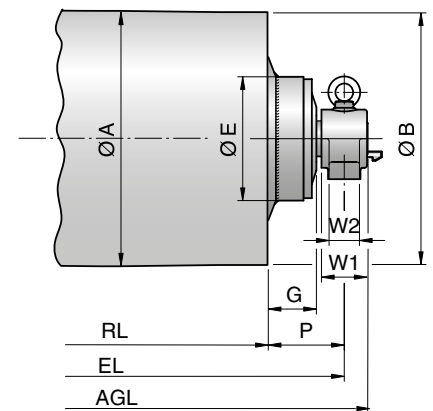
Ø 630 mm



Motorized Pulley with terminal box

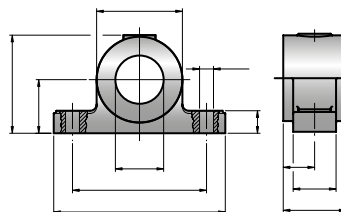


Idler Pulley UT500H / UT502H



Type	A mm	B mm	C mm	D mm	E mm	G mm	L mm	M mm	O mm	P mm
630M	630	626	-	65	192	95	131	46	165	150
630M (22&30kW) / 630H	630	626	-	90	268	84	166	54	230	150
UT500H	501	497	-	65	235	95	-	-	-	150
UT502H	501	497	-	90	226	85	-	-	-	150

Mounting brackets
AL65 & ALO65
AL90 & ALO90



Motorized Pulleys & Idler Pulleys (UT)	Material	Bracket description	Dimensions											Weight kg
			D mm	I mm	S mm	V mm	W mm	W1 mm	W2 mm	X mm	X1 mm	Z mm	Z1 mm	
630M	Spheroidal cast iron	AL65 / ALO65	65	115	23	34	45	90	60	180	240	80	141	8.0
630H	Cast steel	AL90 / ALO90	90	160	26	42	58.5	117	80	250	320	100	183	19.0

MOTORIZED PULLEY 630M

Ø 630 mm - 50 Hz



Motor		Nominal belt speed at Full Load 50Hz m/sec	Torque Nm	Belt Pull N	Max. Radial Load T1+T2* N	Min. RL	Type	Weight in kg for STANDARD width Dimension RL in mm (RL >2000 mm available on request)									Type of Bracket
Power kW/HP	No. of Poles							750	800	850	900	950	1000	1050	1100	per 50 mm up to 2000	
5.50/ 7.50	8	0.63	2612	8292	46000	750	630M	395	404	413	422	431	441	450	459	9 kg	AL65/ALO65
		0.80	2057	6530													
		1.00	1645	5222													
	6	1.25	1316	4178													
		1.60	1028	3264													
		2.00	823	2613													
7.50/ 10.0	8	2.50	658	2089													
		3.15	522	1657													
	6	0.80	2805	8905													
		1.00	2243	7121													
		1.25	1795	5699													
		1.60	1402	4451													
2.00	1122	3562															
2.50	897	2848															
3.15	712	2261															
11.0/ 15.0	6	2.00	1645	5222													
		2.50	1316	4178													
		3.15	1045	3318													
		1.25	2631	8356													
15.0/ 20.0	4	1.60	2056	6527													
		2.00	1645	5222													
		2.50	1316	4178													
		3.15	1045	3318													
18.5/ 25.0	4	1.60	2804	8902													
		2.00	2243	7121													
		2.50	1795	5699													
		3.15	1424	4521													
22.0/ 30.0	4	2.00	2767	8784													
		2.50	2213	7026													
		3.15	1757	5578													
22.0/ 30.0	4	2.00	3222	10450													
	2	2.50	2634	8362													
		3.15	2090	6635													

* T1+T2 value is valid for shortest available RL – in case of any questions please contact Rulmeca sales.
Note: for MP 630M & H electromagnetic brake is not possible

Further product details:



https://www.rulmeca.com/contenuti/qr_code/english/500H-800H.pdf

MOTORIZED PULLEY 630H

Ø 630 mm - 50 Hz



Motor		Nominal belt speed at Full Load 50Hz m/sec	Torque Nm	Belt Pull N	Max. Radial Load T1+T2* N	Min. RL	Type	Weight in kg for STANDARD width Dimension RL in mm (RL >2000 mm available on request)									Type of Bracket
Power kW/HP	No. of Poles							950	1000	1050	1100	1150	1200	1250	1300	per 50 mm up to 2000	
22.0/ 30.0	8	1.00	6583	20899	73600	950	630H	805	818	830	843	855	865	878	891	13 kg	AL90/ALO90
		1.25	5265	16714													
		1.60	4113	13057													
		2.00	3290	10445													
		2.50	2632	8356													
3.15	2089	6632															
30.0/ 40.0	8	1.25	7179	22791	98100	950	630H	825	838	850	863	875	885	898	911	13 kg	AL90/ALO90
		1.60	5609	17807													
		2.00	4487	14245													
		2.50	3589	11394													
3.15	2849	9045															
37.0/ 50.0	6	1.60	6920	21969	98100	950	630H	825	838	850	863	875	885	898	911	13 kg	AL90/ALO90
		2.00	5534	17569													
		2.50	4427	14054													
		3.15	3513	11153													
45.0/ 61.0	4	2.50	5384	17092	88300	950	630H	845	858	870	883	895	905	918	931	13 kg	AL90/ALO90
		3.15	4273	13565													
		4.00	3365	10683													
55.0/ 75.0	4	2.50	6584	20902	88300	950	630H	845	858	870	883	895	905	918	931	13 kg	AL90/ALO90
		3.15	5223	16581													
		4.00	4113	13057													

* T1+T2 value is valid for shortest available RL – in case of any questions please contact Rulmeca sales.

Note: for MP 630M & H electromagnetic brake is not possible